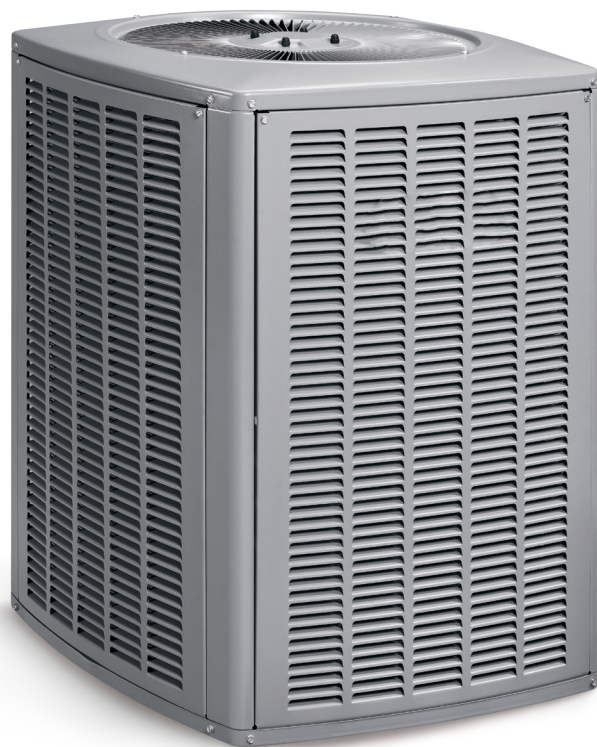


4SHP13LB

PRODUCT SPECIFICATIONS

13 SEER SPLIT SYSTEM HEAT PUMP

FORM NO. 4SHP13LB-100 (04/2014)



- Reliable, solid-state, time-initiated, temperature-terminated defrost system
- Service valves positioned for quick installation and easy service
- Low pressure switch for loss of charge system protection
- Trade-available components
- Defrost control features built-in diagnostics for easier service
- Defrost control has short cycle protection to protect compressor
- Defrost control is Quiet Shift™ capable
- Defrost cycle is field selectable 30/60/90 minutes

COIL

- Enhanced aluminum fins and copper tubing for high efficiency and capacity
- Raised coil prevents debris from collecting in bottom of coil and causing loss of airflow

DESIGN

- Designed for ambients up to 125°F

ACCESSORIES

- Low ambient kit
- Crank Case Heater
- Freezestat

WARRANTY

10 year limited warranty on compressor, 10 year limited warranty on all parts, extended warranty available*

*Warranty provides for a total of 10 years of limited warranty coverage (Standard 5-year limited parts warranty plus an additional 5-year limited extended parts warranty). Warranty must be registered online within 60 days of installation to qualify for 10-year coverage. Unregistered equipment defaults to 5-year coverage. Lifetime limited heat exchanger warranty applies to registered equipment only (Standard 20 years with no online registration). See full warranty at www.alliedair.com for terms, conditions and exclusions.



COMPRESSOR

- High-efficiency scroll compressor
- R410a refrigerant
- Grommet-mounted compressor for quiet operation
- Internally protected against high temperature motor overload conditions
- Heavy-duty compressor sound blanket for quiet operation

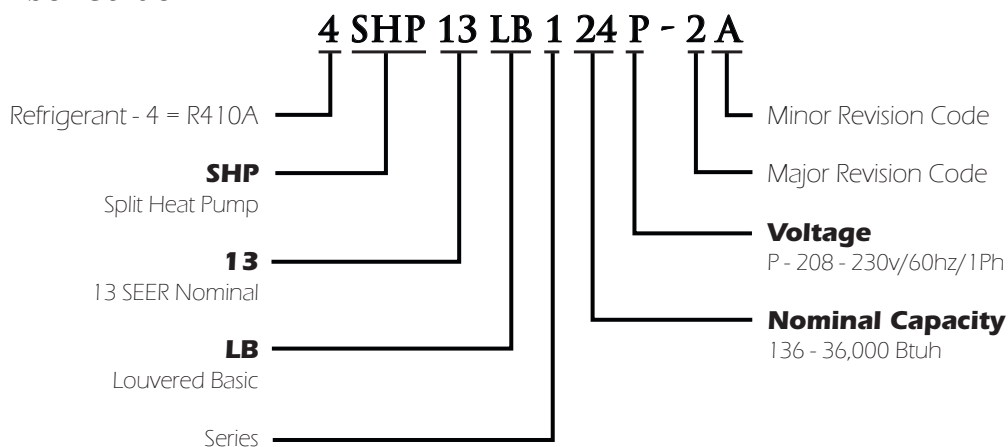
CABINET

- Full metal louvered panel coil guard protection
- Controls located in corner post for easy installation and service
- Rounded corners for safety and attractive, clean appearance
- Baked polyester paint finish over galvanized steel for maximum durability
- PVC-coated wire fan discharge grill
- External gauge ports for easy service
- Raised base pan with ports allows for excellent water and debris drainage

COMPONENTS

- Full metal louvered panels remove with just two screws per panel for easy coil cleaning and service
- Bi-directional filter drier for long-lasting durability and system protection
- Discharge muffler for quiet operation
- High pressure switch

Model Number Guide



Physical and Electrical

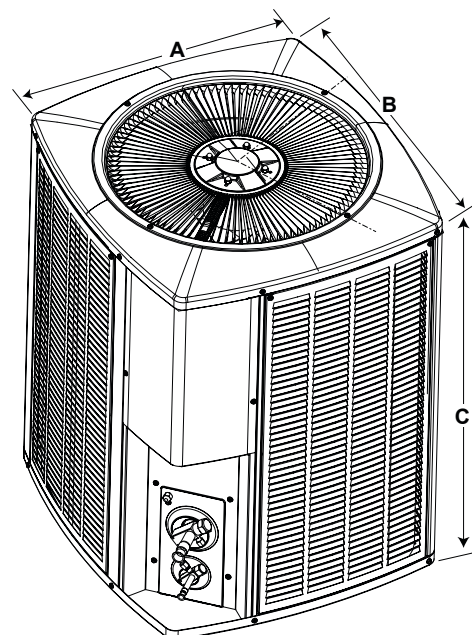
Model	Voltage/ HZ/ Phase	Voltage Range	Min. Circuit Amp.	Max. Over current Device (amps)	Compressor		Fan Motor			Refrig. Charge+ (oz.)	Shipping Weight (lbs.)	
					Rated Load (amps)	Locked Rotor (amps)	Rated Load (amps)	Rated HP	Nom. RPM		Wire Guard	Louvered
4SHP13LB118P-2	208-230/1/60	197 - 253	11.9	20	9.0	48	0.7	1/10	1075	106	NA	169
4SHP13LB124P-2	208-230/1/60	197 - 253	14.2	20	10.7	53	0.8	1/10	1075	101	NA	174
4SHP13LB130P-2	208-230/1/60	197 - 253	16.3	25	12.4	59	0.7	1/6	825	108	NA	185
4SHP13LB136P-2	208-230/1/60	197 - 253	19.9	35	15.2	70	0.9	1/6	825	114	NA	208
4SHP13LB142P-2	208-230/1/60	197 - 253	27.8	45	21.1	90	1.4	1/4	825	134	NA	253
4SHP13LB148P-2	208-230/1/60	197 - 253	31.7	50	24.1	100	1.5	1/4	825	198	NA	257
4SHP13LB160P-2	208-230/1/60	197 - 253	36.3	60	27.6	120	1.7	1/3	825	210	NA	279

Note:
Weights listed are unit weights with packaging.
+ Factory charged for 15 feet of line set. Adjust per installation instructions.

Unit Dimensions and Sound Ratings

Model No.	Dimensions (inches)			Sound Ratings (dBA)
	A-Width	B-Depth	C-Height	
4SHP13LB118P-2	24.75	26.75	33.75	75
4SHP13LB124P-2	24.75	26.75	33.75	74
4SHP13LB130P-2	29.38	31.25	29.75	74
4SHP13LB136P-2	29.38	31.25	37.75	74
4SHP13LB142P-2	29.38	31.25	43.75	76
4SHP13LB148P-2	29.38	31.25	33.75	76
4SHP13LB160P-2	29.38	31.25	37.75	76

Note:
Dimensions listed are unit sizes without packaging.



Cooling Performance with Evaporator Coils

Outdoor Model	Indoor Model	Cooling				Heating				CFM	Refrigerant Connection				Refrig. Line Size		Indoor Expansion Device		
		SEER	EER	ARI Rated Capacity ¹ BTUH	Sensible Capacity BTUH	HSPF	47		17		Outdoor		Indoor		Suction	Liquid	Piston ²	TXV	
							Btuh	COP	Btuh		COP	Suction	Liquid	Suction					Liquid
4SHP13LB118P-2	E*1P18(A,B)	13.0	11.0	17,600	12,500	7.7	16,600	3.2	10,000	2.0	650	3/4	3/8	3/4	3/8	3/4	3/8	NA	H4TXV01
	E*1P24(A,B)	13.0	11.0	17,600	12,500	7.7	16,600	3.2	10,000	2.0	650	3/4	3/8	3/4	3/8	3/4	3/8	NA	H4TXV01
4SHP13LB124P-2	E*1P23(A,B)	13.0	11.0	23,000	16,800	7.7	21,400	3.3	13,000	2.2	850	3/4	3/8	3/4	3/8	3/4	3/8	0.057	H4TXV01
	E*1P24(A,B)	13.0	11.0	23,000	16,800	7.7	21,400	3.3	13,000	2.2	850	3/4	3/8	3/4	3/8	3/4	3/8	0.057	H4TXV01
4SHP13LB130P-2	E*1P29(A,B)	13.0	11.0	29,000	21,500	7.7	26,800	3.4	17,000	2.2	1000	3/4	3/8	3/4	3/8	3/4	3/8	0.062	H4TXV01
	E*1P30(B,C)	13.0	11.0	29,000	21,500	7.7	26,800	3.4	17,000	2.2	1000	3/4	3/8	3/4	3/8	3/4	3/8	0.062	H4TXV01
4SHP13LB136P-2	E*1P30(B,C)	13.0	11.0	34,600	24,900	7.7	33,000	3.4	18,000	2.2	1275	3/4	3/8	3/4	3/8	3/4	3/8	0.071	H4TXV01
	E*1P36(B,C)	13.0	11.0	34,600	24,900	7.7	33,000	3.4	18,000	2.2	1275	3/4	3/8	3/4	3/8	3/4	3/8	0.071	H4TXV01
4SHP13LB142P-2	E*1P36(B,C)	13.0	11.0	40,500	29,200	7.7	39,000	3.5	25,000	2.2	1400	7/8	3/8	3/4	3/8	7/8	3/8	0.076	H4TXV02
	E*1P43(B,C)	13.0	11.0	40,500	29,200	7.7	39,000	3.5	25,000	2.2	1400	7/8	3/8	7/8	3/8	7/8	3/8	0.076	H4TXV02
4SHP13LB148P-2	E*1P50C	13.0	11.0	48,000	34,600	7.7	44,500	3.2	28,000	2.4	1600	7/8	3/8	7/8	3/8	7/8	3/8	0.08	H4TXV02
4SHP13LB160P-2	E*1P49(B,C)	13.0	11.0	57,000	41,200	7.7	55,000	3.3	34,000	2.3	1850	7/8	3/8	7/8	3/8	1 1/8	3/8	NA	H4TXV02
	E*1P62C	13.0	11.0	57,000	41,200	7.7	55,000	3.3	34,000	2.3	1850	7/8	3/8	7/8	3/8	1 1/8	3/8	NA	H4TXV02
	E*1P62D	13.0	11.0	57,000	41,200	7.7	55,000	3.3	34,000	2.3	1850	7/8	3/8	7/8	3/8	1 1/8	3/8	NA	H4TXV02

Note:

¹ Certified in accordance with Unitary Air Conditioner Certification Program, which is based on AHRI Standard 210/240.

² Required to achieve AHRI rating. If NA (Not Applicable) is in the piston column, then TXV is required.

³ A blower time delay relay is standard on all Allied Air Enterprises furnaces and AH products.

Cooling Performance with Air Handlers and Furnaces 18

Outdoor Model	Indoor Model		Cooling				Heating				CFM	Refrigerant Connection				Refrig. Line Size		Indoor Expansion Device		
	Evaporator Coil or Air Handler ³	Furnaces	SEER	EER	ARI Rated Capacity ¹	Sensible Capacity	HSPF	47		17		Outdoor		Indoor		Suction	Liquid	Piston ²	TXV	
								Btuh	COP	Btuh		COP	Suction	Liquid						
															Suction					Liquid
4SH13LB18P-2	BCE3M18C****P		13.0	11.0	17,600	12,500	7.7	16,600	3.2	10,000	2.0	650	3/4	3/8	3/4	3/8	3/4	3/8	NA	H4TXV01
	BCS2M24S00NA1P		14.0	11.0	17,600	12,500	7.7	16,600	3.2	10,000	2.0	650	3/4	3/8	3/4	3/8	3/4	3/8	NA	H4TXV01
	BCS2M24V00NA1P		14.0	11.0	17,600	12,500	7.7	16,600	3.2	10,000	2.0	650	3/4	3/8	3/4	3/8	3/4	3/8	NA	H4TXV01
	BCE3M24E****X		14.0	11.0	17,600	12,500	7.7	16,600	3.2	10,000	2.0	650	3/4	3/8	3/4	3/8	3/4	3/8	NA	Factory Installed H4TXV01
	E*1P18A	A80DF1E045A12	13.5	11.0	17,600	12,500	7.7	16,600	3.2	10,000	2.0	650	3/4	3/8	3/4	3/8	3/4	3/8	NA	H4TXV01
	E*1P24A	A80DF1E045A12	13.5	11.0	17,600	12,500	7.7	16,600	3.2	10,000	2.0	650	3/4	3/8	3/4	3/8	3/4	3/8	NA	H4TXV01
	E*1P18B	A80DF1E070B12	13.5	11.0	17,600	12,500	7.7	16,600	3.2	10,000	2.0	650	3/4	3/8	3/4	3/8	3/4	3/8	NA	H4TXV01
	E*1P24B	A80DF1E070B12	13.5	11.0	17,600	12,500	7.7	16,600	3.2	10,000	2.0	650	3/4	3/8	3/4	3/8	3/4	3/8	NA	H4TXV01
	E*1P18A	A80DF2V070A12*	14.0	11.0	17,600	12,500	7.7	16,600	3.2	10,000	2.0	650	3/4	3/8	3/4	3/8	3/4	3/8	NA	H4TXV01
	E*1P24A	A80DF2V070A12*	14.0	11.0	17,600	12,500	7.7	16,600	3.2	10,000	2.0	650	3/4	3/8	3/4	3/8	3/4	3/8	NA	H4TXV01
	E*1P18B	A80DF2V090B16*	14.0	11.0	17,600	12,500	7.7	16,600	3.2	10,000	2.0	650	3/4	3/8	3/4	3/8	3/4	3/8	NA	H4TXV01
	E*1P24B	A80DF2V090B16*	14.0	11.0	17,600	12,500	7.7	16,600	3.2	10,000	2.0	650	3/4	3/8	3/4	3/8	3/4	3/8	NA	H4TXV01
	E*1P18A	A80DS2V070A12*	14.0	11.0	17,600	12,500	7.7	16,600	3.2	10,000	2.0	650	3/4	3/8	3/4	3/8	3/4	3/8	NA	H4TXV01
	E*1P24A	A80DS2V070A12*	14.0	11.0	17,600	12,500	7.7	16,600	3.2	10,000	2.0	650	3/4	3/8	3/4	3/8	3/4	3/8	NA	H4TXV01
	E*1P18B	A80DS2V090B16*	14.0	11.0	17,600	12,500	7.7	16,600	3.2	10,000	2.0	650	3/4	3/8	3/4	3/8	3/4	3/8	NA	H4TXV01
	E*1P24B	A80DS2V090B16*	14.0	11.0	17,600	12,500	7.7	16,600	3.2	10,000	2.0	650	3/4	3/8	3/4	3/8	3/4	3/8	NA	H4TXV01
	E*1P18A	A80UH1E045A12*	13.5	11.0	17,600	12,500	7.7	16,600	3.2	10,000	2.0	650	3/4	3/8	3/4	3/8	3/4	3/8	NA	H4TXV01
	E*1P24A	A80UH1E045A12*	13.5	11.0	17,600	12,500	7.7	16,600	3.2	10,000	2.0	650	3/4	3/8	3/4	3/8	3/4	3/8	NA	H4TXV01
	E*1P18B	A80UH1E070B12*	13.5	11.0	17,600	12,500	7.7	16,600	3.2	10,000	2.0	650	3/4	3/8	3/4	3/8	3/4	3/8	NA	H4TXV01
	E*1P24B	A80UH1E070B12*	13.5	11.0	17,600	12,500	7.7	16,600	3.2	10,000	2.0	650	3/4	3/8	3/4	3/8	3/4	3/8	NA	H4TXV01
	E*1P18A	A80UH2V070A12*	14.0	11.0	17,600	12,500	7.7	16,600	3.2	10,000	2.0	650	3/4	3/8	3/4	3/8	3/4	3/8	NA	H4TXV01
	E*1P24A	A80UH2V070A12*	14.0	11.0	17,600	12,500	7.7	16,600	3.2	10,000	2.0	650	3/4	3/8	3/4	3/8	3/4	3/8	NA	H4TXV01
	E*1P18B	A80UH2V090B12*	14.0	11.0	17,600	12,500	7.7	16,600	3.2	10,000	2.0	650	3/4	3/8	3/4	3/8	3/4	3/8	NA	H4TXV01
	E*1P24B	A80UH2V090B12*	14.0	11.0	17,600	12,500	7.7	16,600	3.2	10,000	2.0	650	3/4	3/8	3/4	3/8	3/4	3/8	NA	H4TXV01
	E*1P18B	A80UH2V090B16*	14.0	11.0	17,600	12,500	7.7	16,600	3.2	10,000	2.0	650	3/4	3/8	3/4	3/8	3/4	3/8	NA	H4TXV01
	E*1P24B	A80UH2V090B16*	14.0	11.0	17,600	12,500	7.7	16,600	3.2	10,000	2.0	650	3/4	3/8	3/4	3/8	3/4	3/8	NA	H4TXV01
	E*1P18A	A80US2V070A12*	14.0	11.0	17,600	12,500	7.7	16,600	3.2	10,000	2.0	650	3/4	3/8	3/4	3/8	3/4	3/8	NA	H4TXV01
	E*1P24A	A80US2V070A12*	14.0	11.0	17,600	12,500	7.7	16,600	3.2	10,000	2.0	650	3/4	3/8	3/4	3/8	3/4	3/8	NA	H4TXV01
	E*1P18B	A80US2V090B12*	14.0	11.0	17,600	12,500	7.7	16,600	3.2	10,000	2.0	650	3/4	3/8	3/4	3/8	3/4	3/8	NA	H4TXV01
	E*1P24B	A80US2V090B12*	14.0	11.0	17,600	12,500	7.7	16,600	3.2	10,000	2.0	650	3/4	3/8	3/4	3/8	3/4	3/8	NA	H4TXV01
	E*1P18B	A80US2V090B16*	14.0	11.0	17,600	12,500	7.7	16,600	3.2	10,000	2.0	650	3/4	3/8	3/4	3/8	3/4	3/8	NA	H4TXV01

Note:

¹ Certified in accordance with Unitary Air Conditioner Certification Program, which is based on AHRI Standard 210/240.

² Required to achieve AHRI rating. If NA (Not Applicable) is in the piston column, then TXV is required.

³ A blower time delay relay is standard on all Allied Air Enterprises furnaces and AH products.

Cooling Performance with Air Handlers and Furnaces 18, 24

Outdoor Model	Indoor Model		Cooling				Heating				CFM	Refrigerant Connection				Refrig. Line Size		Indoor Expansion Device		
	Evaporator Coil or Air Handler ³	Furnaces	SEER	EER	ARI Rated Capacity ¹	Sensible Capacity	HSPF	47		17		Outdoor		Indoor		Suction	Liquid	Piston ²	TXV	
								Btuh	COP	Btuh		COP	Suction	Liquid	Suction					Liquid
4SHP13LB18P-2	E*1P24B	A80US2V090B16*	14.0	11.0	17,600	12,500	7.7	16,600	3.2	10,000	2.0	650	3/4	3/8	3/4	3/8	3/4	3/8	NA	H4TXV01
	E*1P18B	A95DF1E045B12S	13.5	11.0	17,600	12,500	7.7	16,600	3.2	10,000	2.0	650	3/4	3/8	3/4	3/8	3/4	3/8	NA	H4TXV01
	E*1P24B	A95DF1E045B12S	13.5	11.0	17,600	12,500	7.7	16,600	3.2	10,000	2.0	650	3/4	3/8	3/4	3/8	3/4	3/8	NA	H4TXV01
	E*1P18B	A95DF2V045B12S	14.0	11.0	17,600	12,500	7.7	16,600	3.2	10,000	2.0	650	3/4	3/8	3/4	3/8	3/4	3/8	NA	H4TXV01
	E*1P24B	A95DF2V045B12S	14.0	11.0	17,600	12,500	7.7	16,600	3.2	10,000	2.0	650	3/4	3/8	3/4	3/8	3/4	3/8	NA	H4TXV01
	E*1P18B	A95UH1E045B12S	13.5	11.0	17,600	12,500	7.7	16,600	3.2	10,000	2.0	650	3/4	3/8	3/4	3/8	3/4	3/8	NA	H4TXV01
	E*1P24B	A95UH1E045B12S	13.5	11.0	17,600	12,500	7.7	16,600	3.2	10,000	2.0	650	3/4	3/8	3/4	3/8	3/4	3/8	NA	H4TXV01
	E*1P18B	A95UH1E070B12S	13.5	11.0	17,600	12,500	7.7	16,600	3.2	10,000	2.0	650	3/4	3/8	3/4	3/8	3/4	3/8	NA	H4TXV01
	E*1P24B	A95UH1E070B12S	13.5	11.0	17,600	12,500	7.7	16,600	3.2	10,000	2.0	650	3/4	3/8	3/4	3/8	3/4	3/8	NA	H4TXV01
	E*1P18B	A95UH2V045B12S	14.0	11.0	17,600	12,500	7.7	16,600	3.2	10,000	2.0	650	3/4	3/8	3/4	3/8	3/4	3/8	NA	H4TXV01
	E*1P24B	A95UH2V045B12S	14.0	11.0	17,600	12,500	7.7	17,000	3.2	10,000	2.0	650	3/4	3/8	3/4	3/8	3/4	3/8	NA	H4TXV01
	E*1P18B	A95UH2V070B12S	14.0	11.0	18,000	12,800	7.7	17,000	3.2	10,000	2.0	650	3/4	3/8	3/4	3/8	3/4	3/8	NA	H4TXV01
	E*1P24B	A95UH2V070B12S	14.0	11.0	17,600	12,500	7.7	16,600	3.2	10,000	2.0	650	3/4	3/8	3/4	3/8	3/4	3/8	NA	H4TXV01
	E*1P18B	A97DSMV070B12*	14.0	11.0	17,600	12,500	7.7	16,600	3.2	10,000	2.0	650	3/4	3/8	3/4	3/8	3/4	3/8	NA	H4TXV01
	E*1P24B	A97DSMV070B12*	14.0	11.0	17,600	12,500	7.7	16,600	3.2	10,000	2.0	650	3/4	3/8	3/4	3/8	3/4	3/8	NA	H4TXV01
	E*1P18B	A97USMV070B12*	14.0	11.0	17,600	12,500	7.7	16,600	3.2	10,000	2.0	650	3/4	3/8	3/4	3/8	3/4	3/8	NA	H4TXV01
	E*1P24B	A97USMV070B12*	14.0	11.0	17,600	12,500	7.7	16,600	3.2	10,000	2.0	650	3/4	3/8	3/4	3/8	3/4	3/8	NA	H4TXV01
	4SHP13LB124P-2	BCE3M24C****P		13.0	11.0	23,000	16,800	7.7	21,400	3.3	13,000	2.2	850	3/4	3/8	7/8	3/8	3/4	3/8	0.057
BCS2M24S00NA1P			14.0	11.0	23,000	16,800	7.7	21,400	3.3	13,000	2.2	850	3/4	3/8	3/4	3/8	3/4	3/8	0.057	H4TXV01
BCS2M24V00NA1P			14.0	11.0	23,000	16,800	7.7	21,400	3.3	13,000	2.2	850	3/4	3/8	3/4	3/8	3/4	3/8	0.057	H4TXV01
BCE3M30E****X			14.0	11.0	23,000	16,800	7.7	21,400	3.3	13,000	2.2	850	3/4	3/8	3/4	3/8	3/4	3/8	NA	Factory Installed H4TXV01
E*1P23A		A80DF1E045A12	14.0	11.0	23,000	16,800	7.7	21,400	3.3	13,000	2.2	850	3/4	3/8	3/4	3/8	3/4	3/8	0.057	H4TXV01
E*1P24A		A80DF1E045A12	14.0	11.0	23,000	16,800	7.7	21,400	3.3	13,000	2.2	850	3/4	3/8	3/4	3/8	3/4	3/8	0.057	H4TXV01
E*1P23B		A80DF1E070B12	14.0	11.0	23,000	16,800	7.7	21,400	3.3	13,000	2.2	850	3/4	3/8	3/4	3/8	3/4	3/8	0.057	H4TXV01
E*1P24B		A80DF1E070B12	14.0	11.0	23,000	16,800	7.7	21,400	3.3	13,000	2.2	850	3/4	3/8	3/4	3/8	3/4	3/8	0.057	H4TXV01
E*1P23A		A80DF2V070A12*	14.0	11.0	23,000	16,800	7.7	21,400	3.3	13,000	2.2	850	3/4	3/8	3/4	3/8	3/4	3/8	0.057	H4TXV01
E*1P24A		A80DF2V070A12*	14.0	11.0	23,000	16,800	7.7	21,400	3.3	13,000	2.2	850	3/4	3/8	3/4	3/8	3/4	3/8	0.057	H4TXV01
E*1P23B		A80DF2V090B16*	14.0	11.0	23,000	16,800	7.7	21,400	3.3	13,000	2.2	850	3/4	3/8	3/4	3/8	3/4	3/8	0.057	H4TXV01
E*1P24B		A80DF2V090B16*	14.0	11.0	23,000	16,800	7.7	21,400	3.3	13,000	2.2	850	3/4	3/8	3/4	3/8	3/4	3/8	0.057	H4TXV01
E*1P23A		A80DS2V070A12*	14.0	11.0	23,000	16,800	7.7	21,400	3.3	13,000	2.2	850	3/4	3/8	3/4	3/8	3/4	3/8	0.057	H4TXV01
E*1P24A		A80DS2V070A12*	14.0	11.0	23,000	16,800	7.7	21,400	3.3	13,000	2.2	850	3/4	3/8	3/4	3/8	3/4	3/8	0.057	H4TXV01

Note:

¹ Certified in accordance with Unitary Air Conditioner Certification Program, which is based on AHRI Standard 210/240.

² Required to achieve AHRI rating. If NA (Not Applicable) is in the piston column, then TXV is required.

³ A blower time delay relay is standard on all Allied Air Enterprises furnaces and AH products.

Cooling Performance with Air Handlers and Furnaces 24

Outdoor Model	Indoor Model		Cooling				Heating				CFM	Refrigerant Connection				Refrig. Line Size		Indoor Expansion Device		
	Evaporator Coil or Air Handler ³	Furnaces	SEER	EER	ARI Rated Capacity ¹	Sensible Capacity	HSPF	47		17		Outdoor		Indoor		Suction	Liquid	Piston ²	TXV	
								Btuh	COP	Btuh		COP	Suction	Liquid						
															Suction					Liquid
4SH13LB24P-2	E*1P23B	A80DS2V090B16*	14.0	11.0	23,000	16,800	7.7	21,400	3.3	13,000	2.2	850	3/4	3/8	3/4	3/8	3/4	3/8	0.057	H4TXV01
	E*1P24B	A80DS2V090B16*	14.0	11.0	23,000	16,800	7.7	21,400	3.3	13,000	2.2	850	3/4	3/8	3/4	3/8	3/4	3/8	0.057	H4TXV01
	E*1P23A	A80UH1E045A12*	13.5	11.0	23,000	16,800	7.7	21,400	3.3	13,000	2.2	850	3/4	3/8	3/4	3/8	3/4	3/8	0.057	H4TXV01
	E*1P24A	A80UH1E045A12*	14.0	11.0	23,000	16,800	7.7	21,400	3.3	13,000	2.2	850	3/4	3/8	3/4	3/8	3/4	3/8	0.057	H4TXV01
	E*1P23B	A80UH1E070B12*	14.0	11.0	23,000	16,800	7.7	21,400	3.3	13,000	2.2	850	3/4	3/8	3/4	3/8	3/4	3/8	0.057	H4TXV01
	E*1P24B	A80UH1E070B12*	14.0	11.0	23,000	16,800	7.7	21,400	3.3	13,000	2.2	850	3/4	3/8	3/4	3/8	3/4	3/8	0.057	H4TXV01
	E*1P23A	A80UH2V070A12*	14.0	11.0	23,000	16,800	7.7	21,400	3.3	13,000	2.2	850	3/4	3/8	3/4	3/8	3/4	3/8	0.057	H4TXV01
	E*1P24A	A80UH2V070A12*	14.0	11.0	23,000	16,800	7.7	21,400	3.3	13,000	2.2	850	3/4	3/8	3/4	3/8	3/4	3/8	0.057	H4TXV01
	E*1P23B	A80UH2V090B12*	14.0	11.0	23,000	16,800	7.7	21,400	3.3	13,000	2.2	850	3/4	3/8	3/4	3/8	3/4	3/8	0.057	H4TXV01
	E*1P24B	A80UH2V090B12*	14.0	11.0	23,000	16,800	7.7	21,400	3.3	13,000	2.2	850	3/4	3/8	3/4	3/8	3/4	3/8	0.057	H4TXV01
	E*1P23B	A80UH2V090B16*	13.5	11.0	23,000	16,800	7.7	21,400	3.3	13,000	2.2	850	3/4	3/8	3/4	3/8	3/4	3/8	0.057	H4TXV01
	E*1P24B	A80UH2V090B16*	14.0	11.0	23,000	16,800	7.7	21,400	3.3	13,000	2.2	850	3/4	3/8	3/4	3/8	3/4	3/8	0.057	H4TXV01
	E*1P23A	A80US2V070A12*	14.0	11.0	23,000	16,800	7.7	21,400	3.3	13,000	2.2	850	3/4	3/8	3/4	3/8	3/4	3/8	0.057	H4TXV01
	E*1P24A	A80US2V070A12*	14.0	11.0	23,000	16,800	7.7	21,400	3.3	13,000	2.2	850	3/4	3/8	3/4	3/8	3/4	3/8	0.057	H4TXV01
	E*1P23B	A80US2V090B12*	14.0	11.0	23,000	16,800	7.7	21,400	3.3	13,000	2.2	850	3/4	3/8	3/4	3/8	3/4	3/8	0.057	H4TXV01
	E*1P24B	A80US2V090B12*	14.0	11.0	23,000	16,800	7.7	21,400	3.3	13,000	2.2	850	3/4	3/8	3/4	3/8	3/4	3/8	0.057	H4TXV01
	E*1P23B	A80US2V090B16*	13.5	11.0	23,000	16,800	7.7	21,400	3.3	13,000	2.2	850	3/4	3/8	3/4	3/8	3/4	3/8	0.057	H4TXV01
	E*1P24B	A80US2V090B16*	14.0	11.0	23,000	16,800	7.7	21,400	3.3	13,000	2.2	850	3/4	3/8	3/4	3/8	3/4	3/8	0.057	H4TXV01
	E*1P23B	A95DF1E045B12S	13.5	11.0	23,000	16,800	7.7	21,400	3.3	13,000	2.2	850	3/4	3/8	3/4	3/8	3/4	3/8	0.057	H4TXV01
	E*1P24B	A95DF1E045B12S	14.0	11.0	23,000	16,800	7.7	21,400	3.3	13,000	2.2	850	3/4	3/8	3/4	3/8	3/4	3/8	0.057	H4TXV01
	E*1P23B	A95DF2V045B12S	14.0	11.0	23,000	16,800	7.7	21,400	3.3	13,000	2.2	850	3/4	3/8	3/4	3/8	3/4	3/8	0.057	H4TXV01
	E*1P24B	A95DF2V045B12S	14.0	11.0	23,000	16,800	7.7	21,400	3.3	13,000	2.2	850	3/4	3/8	3/4	3/8	3/4	3/8	0.057	H4TXV01
	E*1P23B	A95DF2V070B16S	14.0	11.0	23,000	16,800	7.7	21,400	3.3	13,000	2.2	850	3/4	3/8	3/4	3/8	3/4	3/8	0.057	H4TXV01
	E*1P24B	A95DF2V070B16S	14.0	11.0	23,000	16,800	7.7	21,400	3.3	13,000	2.2	850	3/4	3/8	3/4	3/8	3/4	3/8	0.057	H4TXV01
	E*1P23B	A95UH1E045B12S	13.5	11.0	23,000	16,800	7.7	21,400	3.3	13,000	2.2	850	3/4	3/8	3/4	3/8	3/4	3/8	0.057	H4TXV01
	E*1P24B	A95UH1E045B12S	14.0	11.0	23,000	16,800	7.7	21,400	3.3	13,000	2.2	850	3/4	3/8	3/4	3/8	3/4	3/8	0.057	H4TXV01
	E*1P23B	A95UH1E070B12S	13.5	11.0	23,000	16,800	7.7	21,400	3.3	13,000	2.2	850	3/4	3/8	3/4	3/8	3/4	3/8	0.057	H4TXV01
	E*1P24B	A95UH1E070B12S	14.0	11.0	23,000	16,800	7.7	21,400	3.3	13,000	2.2	850	3/4	3/8	3/4	3/8	3/4	3/8	0.057	H4TXV01
	E*1P23B	A95UH2V045B12S	14.0	11.0	23,000	16,800	7.7	21,400	3.3	13,000	2.2	850	3/4	3/8	3/4	3/8	3/4	3/8	0.057	H4TXV01
	E*1P24B	A95UH2V045B12S	14.0	11.0	23,000	16,800	7.7	21,400	3.3	13,000	2.2	850	3/4	3/8	3/4	3/8	3/4	3/8	0.057	H4TXV01
E*1P23B	A95UH2V070B12S	14.0	11.0	23,000	16,800	7.7	21,400	3.3	13,000	2.2	850	3/4	3/8	3/4	3/8	3/4	3/8	0.057	H4TXV01	

Note:

¹ Certified in accordance with Unitary Air Conditioner Certification Program, which is based on AHRI Standard 210/240.

² Required to achieve AHRI rating. If NA (Not Applicable) is in the piston column, then TXV is required.

³ A blower time delay relay is standard on all Allied Air Enterprises furnaces and AH products.

Cooling Performance with Air Handlers and Furnaces 24, 30

Outdoor Model	Indoor Model		Cooling				Heating				CFM	Refrigerant Connection				Refrig. Line Size		Indoor Expansion Device		
	Evaporator Coil or Air Handler ³	Furnaces	SEER	EER	ARI Rated Capacity ¹	Sensible Capacity	HSPF	47		17		Outdoor		Indoor		Suction	Liquid	Piston ²	TXV	
								Btuh	COP	Btuh		COP	Suction	Liquid	Suction					Liquid
4SH13LB24P-2	E*1P24B	A95UH2V070B12S	14.0	11.0	23,000	16,800	7.7	21,400	3.3	13,000	2.2	850	3/4	3/8	3/4	3/8	3/4	3/8	0.057	H4TXV01
	E*1P23B	A97DSMV070B12*	14.0	11.0	23,000	16,800	7.7	21,400	3.3	13,000	2.2	850	3/4	3/8	3/4	3/8	3/4	3/8	0.057	H4TXV01
	E*1P24B	A97DSMV070B12*	14.0	11.0	23,000	16,800	7.7	21,400	3.3	13,000	2.2	850	3/4	3/8	3/4	3/8	3/4	3/8	0.057	H4TXV01
	E*1P23B	A97USMV070B12*	14.0	11.0	23,000	16,800	7.7	21,400	3.3	13,000	2.2	850	3/4	3/8	3/4	3/8	3/4	3/8	0.057	H4TXV01
	E*1P24B	A97USMV070B12*	14.0	11.0	23,000	16,800	7.7	21,400	3.3	13,000	2.2	850	3/4	3/8	3/4	3/8	3/4	3/8	0.057	H4TXV01
4SH13LB30P-2	BCE3M30C****P		13.0	11.0	28,000	20,700	7.7	26,800	3.4	17,000	2.2	950	3/4	3/8	7/8	3/8	3/4	3/8	0.062	H4TXV01
	BCS2M36S00NA1P		14.0	11.0	29,000	21,500	7.7	26,800	3.4	17,000	2.2	1000	3/4	3/8	7/8	3/8	3/4	3/8	0.062	H4TXV01
	BCS2M36V00NA1P		14.0	11.0	29,000	21,500	7.7	26,800	3.4	17,000	2.2	1000	3/4	3/8	7/8	3/8	3/4	3/8	0.062	H4TXV01
	BCE3M30E****X		14.0	11.0	29,000	21,500	7.7	26,800	3.4	17,000	2.2	1000	3/4	3/8	7/8	3/8	3/4	3/8	NA	Factory Installed H4TXV01
	E*1P29A	A80DF1E045A12	13.5	11.0	29,000	21,500	7.7	26,800	3.4	17,000	2.2	1000	3/4	3/8	3/4	3/8	3/4	3/8	0.062	H4TXV01
	E*1P29B	A80DF1E070B12	14.0	11.0	29,000	21,500	7.7	26,800	3.4	16,800	2.2	1000	3/4	3/8	3/4	3/8	3/4	3/8	0.062	H4TXV01
	E*1P29B	A80DF1E090B16	14.0	11.0	29,000	21,500	7.7	26,800	3.4	16,800	2.2	1000	3/4	3/8	3/4	3/8	3/4	3/8	0.062	H4TXV01
	E*1P29A	A80DF2V070A12*	13.5	11.0	29,000	21,500	7.7	26,800	3.4	16,800	2.2	1000	3/4	3/8	3/4	3/8	3/4	3/8	0.062	H4TXV01
	E*1P29B	A80DF2V090B16*	14.0	11.0	29,000	21,500	7.7	26,800	3.4	16,800	2.2	1000	3/4	3/8	3/4	3/8	3/4	3/8	0.062	H4TXV01
	E*1P29A	A80DS2V070A12*	13.5	11.0	29,000	21,500	7.7	26,800	3.4	16,800	2.2	1000	3/4	3/8	3/4	3/8	3/4	3/8	0.062	H4TXV01
	E*1P29B	A80DS2V090B16*	14.0	11.0	29,000	21,500	7.7	26,800	3.4	16,800	2.2	1000	3/4	3/8	3/4	3/8	3/4	3/8	0.062	H4TXV01
	E*1P29A	A80UH1E045A12*	14.0	11.0	29,000	21,500	7.7	26,800	3.4	17,000	2.2	1000	3/4	3/8	3/4	3/8	3/4	3/8	0.062	H4TXV01
	E*1P29B	A80UH1E070B12*	14.0	11.0	29,000	21,500	7.7	26,800	3.4	16,800	2.2	1000	3/4	3/8	3/4	3/8	3/4	3/8	0.062	H4TXV01
	E*1P29B	A80UH1E090B16*	14.0	11.0	29,000	21,500	7.7	26,800	3.4	16,800	2.2	1000	3/4	3/8	3/4	3/8	3/4	3/8	0.062	H4TXV01
	E*1P29A	A80UH2V070A12*	13.5	11.0	29,000	21,500	7.7	26,800	3.4	17,000	2.2	1000	3/4	3/8	3/4	3/8	3/4	3/8	0.062	H4TXV01
	E*1P29B	A80UH2V090B12*	13.5	11.0	29,000	21,500	7.7	26,800	3.4	17,000	2.2	1000	3/4	3/8	3/4	3/8	3/4	3/8	0.062	H4TXV01
	E*1P29B	A80UH2V090B16*	13.5	11.0	29,000	21,500	7.7	26,800	3.4	17,000	2.2	1000	3/4	3/8	3/4	3/8	3/4	3/8	0.062	H4TXV01
	E*1P29A	A80US2V070A12*	13.5	11.0	29,000	21,500	7.7	26,800	3.4	17,000	2.2	1000	3/4	3/8	3/4	3/8	3/4	3/8	0.062	H4TXV01
	E*1P29B	A80US2V090B12*	13.5	11.0	29,000	21,500	7.7	26,800	3.4	17,000	2.2	1000	3/4	3/8	3/4	3/8	3/4	3/8	0.062	H4TXV01
	E*1P29B	A80US2V090B16*	13.5	11.0	29,000	21,500	7.7	26,800	3.4	17,000	2.2	1000	3/4	3/8	3/4	3/8	3/4	3/8	0.062	H4TXV01
	E*1P29B	A95DF1E045B12S	13.5	11.0	29,000	21,500	7.7	26,800	3.4	17,000	2.2	1000	3/4	3/8	3/4	3/8	3/4	3/8	0.062	H4TXV01
	E*1P29B	A95DF1E070B16S	14.0	11.0	29,000	21,500	7.7	26,800	3.4	17,000	2.2	1000	3/4	3/8	3/4	3/8	3/4	3/8	0.062	H4TXV01
	E*1P29B	A95DF2V045B12S	14.0	11.0	29,000	21,500	7.7	26,800	3.4	16,800	2.2	1000	3/4	3/8	3/4	3/8	3/4	3/8	0.062	H4TXV01
	E*1P29B	A95DF2V070B16S	13.5	11.0	29,000	21,500	7.7	26,800	3.4	17,000	2.2	1000	3/4	3/8	3/4	3/8	3/4	3/8	0.062	H4TXV01
	E*1P29B	A95UH1E045B12S	13.5	11.0	29,000	21,500	7.7	26,800	3.4	17,000	2.2	1000	3/4	3/8	3/4	3/8	3/4	3/8	0.062	H4TXV01
	E*1P29B	A95UH1E070B12S	13.5	11.0	29,000	21,500	7.7	26,800	3.4	17,000	2.2	1000	3/4	3/8	3/4	3/8	3/4	3/8	0.062	H4TXV01

Note:

¹ Certified in accordance with Unitary Air Conditioner Certification Program, which is based on AHRI Standard 210/240.

² Required to achieve AHRI rating. If NA (Not Applicable) is in the piston column, then TXV is required.

³ A blower time delay relay is standard on all Allied Air Enterprises furnaces and AH products.

Cooling Performance with Air Handlers and Furnaces 30, 36

Outdoor Model	Indoor Model		Cooling				Heating				CFM	Refrigerant Connection				Refrig. Line Size		Indoor Expansion Device		
			SEER	EER	ARI Rated Capacity ¹	Sensible Capacity	HSPF	47		17		Outdoor		Indoor		Suction	Liquid	Piston ²	TXV	
	Btuh	COP						Btuh	COP	Suction		Liquid	Suction	Liquid						
	Evaporator Coil or Air Handler ³	Furnaces																		
4SH13LB30P-2	E*1P29B	A95UH2V045B12S	13.5	11.0	29,000	21,500	7.7	26,800	3.4	17,000	2.2	1000	3/4	3/8	3/4	3/8	3/4	3/8	0.062	H4TXV01
	E*1P29B	A95UH2V070B12S	14.0	11.0	29,000	21,500	7.7	26,800	3.4	16,800	2.2	1000	3/4	3/8	3/4	3/8	3/4	3/8	0.062	H4TXV01
	E*1P29B	A97DSMV070B12*	14.0	11.0	29,000	21,500	7.7	26,800	3.4	16,800	2.2	1000	3/4	3/8	3/4	3/8	3/4	3/8	0.062	H4TXV01
	E*1P29B	A97USMV070B12*	14.0	11.0	29,000	21,500	7.7	26,800	3.4	16,800	2.2	1000	3/4	3/8	3/4	3/8	3/4	3/8	0.062	H4TXV01
4SH13LB36P-2	BCE3M36C****P		13.0	11.0	34,600	24,900	7.7	33,000	3.4	18,000	2.2	1270	3/4	3/8	7/8	3/8	3/4	3/8	0.071	H4TXV01
	BCS2M36S00NA1P		14.0	11.0	34,600	24,900	7.7	33,000	3.4	18,000	2.2	1275	3/4	3/8	7/8	3/8	3/4	3/8	0.071	H4TXV01
	BCS2M36V00NA1P		14.0	11.0	34,600	24,900	7.7	33,000	3.4	18,000	2.2	1275	3/4	3/8	7/8	3/8	3/4	3/8	0.071	H4TXV01
	BCE3M36E****X		14.0	11.0	34,600	24,900	7.7	33,000	3.4	18,000	2.2	1275	3/4	3/8	7/8	3/8	3/4	3/8	NA	Factory Installed H4TXV01
	E*1P30A	A80DF1E045A12	13.5	11.0	34,600	24,900	7.7	33,000	3.4	18,000	2.2	1275	3/4	3/8	3/4	3/8	3/4	3/8	0.071	H4TXV01
	E*1P36A	A80DF1E045A12	14.0	11.0	34,600	24,900	7.7	33,000	3.4	18,000	2.2	1275	3/4	3/8	3/4	3/8	3/4	3/8	0.071	H4TXV01
	E*1P30B	A80DF1E070B12	13.5	11.0	34,600	24,900	7.7	33,000	3.4	18,000	2.2	1275	3/4	3/8	3/4	3/8	3/4	3/8	0.071	H4TXV01
	E*1P36B	A80DF1E070B12	14.0	11.0	34,600	24,900	7.7	33,000	3.4	18,000	2.2	1275	3/4	3/8	3/4	3/8	3/4	3/8	0.071	H4TXV01
	E*1P30B	A80DF1E090B16	13.5	11.0	34,600	24,900	7.7	33,000	3.4	18,000	2.2	1275	3/4	3/8	3/4	3/8	3/4	3/8	0.071	H4TXV01
	E*1P36B	A80DF1E090B16	13.5	11.0	34,600	24,900	7.7	33,000	3.4	18,000	2.2	1275	3/4	3/8	3/4	3/8	3/4	3/8	0.071	H4TXV01
	E*1P30C	A80DF1E110C20	13.5	11.0	34,600	24,900	7.7	33,000	3.4	18,000	2.2	1275	3/4	3/8	3/4	3/8	3/4	3/8	0.071	H4TXV01
	E*1P36C	A80DF1E110C20	14.0	11.0	34,600	24,900	7.7	33,000	3.4	18,000	2.2	1275	3/4	3/8	3/4	3/8	3/4	3/8	0.071	H4TXV01
	E*1P30B	A80DF2V090B16*	13.5	11.0	34,600	24,900	7.7	33,000	3.4	18,000	2.2	1275	3/4	3/8	3/4	3/8	3/4	3/8	0.071	H4TXV01
	E*1P36B	A80DF2V090B16*	14.0	11.0	34,600	24,900	7.7	32,800	3.4	18,000	2.2	1275	3/4	3/8	3/4	3/8	3/4	3/8	0.071	H4TXV01
	E*1P30C	A80DF2V110C20*	14.0	11.0	34,600	24,900	7.7	32,800	3.4	18,000	2.2	1275	3/4	3/8	3/4	3/8	3/4	3/8	0.071	H4TXV01
	E*1P36C	A80DF2V110C20*	14.0	11.0	34,600	24,900	7.7	32,800	3.4	18,000	2.2	1275	3/4	3/8	3/4	3/8	3/4	3/8	0.071	H4TXV01
	E*1P30B	A80DS2V090B16*	13.5	11.0	34,600	24,900	7.7	33,000	3.4	18,000	2.2	1275	3/4	3/8	3/4	3/8	3/4	3/8	0.071	H4TXV01
	E*1P36B	A80DS2V090B16*	14.0	11.0	34,600	24,900	7.7	32,800	3.4	18,000	2.2	1275	3/4	3/8	3/4	3/8	3/4	3/8	0.071	H4TXV01
	E*1P30C	A80DS2V110C20*	14.0	11.0	34,600	24,900	7.7	32,800	3.4	18,000	2.2	1275	3/4	3/8	3/4	3/8	3/4	3/8	0.071	H4TXV01
	E*1P36C	A80DS2V110C20*	14.0	11.0	34,600	24,900	7.7	32,800	3.4	18,000	2.2	1275	3/4	3/8	3/4	3/8	3/4	3/8	0.071	H4TXV01
	E*1P30B	A80UH1E070B12*	13.5	11.0	34,600	24,900	7.7	33,000	3.4	18,000	2.2	1275	3/4	3/8	3/4	3/8	3/4	3/8	0.071	H4TXV01
	E*1P36B	A80UH1E070B12*	14.0	11.0	34,600	24,900	7.7	33,000	3.4	18,000	2.2	1275	3/4	3/8	3/4	3/8	3/4	3/8	0.071	H4TXV01
	E*1P30B	A80UH1E090B16*	14.0	11.0	34,600	24,900	7.7	32,800	3.4	18,000	2.2	1275	3/4	3/8	3/4	3/8	3/4	3/8	0.071	H4TXV01
	E*1P36B	A80UH1E090B16*	14.0	11.0	34,600	24,900	7.7	33,000	3.4	18,000	2.2	1275	3/4	3/8	3/4	3/8	3/4	3/8	0.071	H4TXV01
E*1P30C	A80UH1E090C20*	13.5	11.0	34,600	24,900	7.7	33,000	3.4	18,000	2.2	1275	3/4	3/8	3/4	3/8	3/4	3/8	0.071	H4TXV01	
E*1P36C	A80UH1E090C20*	14.0	11.0	34,600	24,900	7.7	33,000	3.4	18,000	2.2	1275	3/4	3/8	3/4	3/8	3/4	3/8	0.071	H4TXV01	

Note:

¹ Certified in accordance with Unitary Air Conditioner Certification Program, which is based on AHRI Standard 210/240.

² Required to achieve AHRI rating. If NA (Not Applicable) is in the piston column, then TXV is required.

³ A blower time delay relay is standard on all Allied Air Enterprises furnaces and AH products.

Cooling Performance with Air Handlers and Furnaces 36

Outdoor Model	Indoor Model		Cooling				Heating				CFM	Refrigerant Connection				Refrig. Line Size		Indoor Expansion Device		
	Evaporator Coil or Air Handler ³	Furnaces	SEER	EER	ARI Rated Capacity ¹	Sensible Capacity	HSPF	47		17		Outdoor		Indoor		Suction	Liquid	Piston ²	TXV	
								Btuh	COP	Btuh		COP	Suction	Liquid	Suction					Liquid
4SH13LB36P-2	E*1P30C	A80UH1E110C20*	13.5	11.0	34,600	24,900	7.7	33,000	3.4	18,000	2.2	1275	3/4	3/8	3/4	3/8	3/4	3/8	0.071	H4TXV01
	E*1P36C	A80UH1E110C20*	14.0	11.0	34,600	24,900	7.7	33,000	3.4	18,000	2.2	1275	3/4	3/8	3/4	3/8	3/4	3/8	0.071	H4TXV01
	E*1P30B	A80UH2V090B12*	13.5	11.0	34,600	24,900	7.7	33,000	3.4	18,000	2.2	1275	3/4	3/8	3/4	3/8	3/4	3/8	0.071	H4TXV01
	E*1P36B	A80UH2V090B12*	14.0	11.0	34,600	24,900	7.7	32,800	3.4	18,000	2.2	1275	3/4	3/8	3/4	3/8	3/4	3/8	0.071	H4TXV01
	E*1P30B	A80UH2V090B16*	13.5	11.0	34,600	24,900	7.7	33,000	3.4	18,000	2.2	1275	3/4	3/8	3/4	3/8	3/4	3/8	0.071	H4TXV01
	E*1P36B	A80UH2V090B16*	13.5	11.0	34,600	24,900	7.7	32,800	3.4	18,000	2.2	1275	3/4	3/8	3/4	3/8	3/4	3/8	0.071	H4TXV01
	E*1P30C	A80UH2V090C20*	14.0	11.0	34,600	24,900	7.7	32,800	3.4	18,000	2.2	1275	3/4	3/8	3/4	3/8	3/4	3/8	0.071	H4TXV01
	E*1P36C	A80UH2V090C20*	14.0	11.0	34,600	24,900	7.7	32,800	3.4	18,000	2.2	1275	3/4	3/8	3/4	3/8	3/4	3/8	0.071	H4TXV01
	E*1P30C	A80UH2V110C20*	14.0	11.0	34,600	24,900	7.7	32,800	3.4	18,000	2.2	1275	3/4	3/8	3/4	3/8	3/4	3/8	0.071	H4TXV01
	E*1P36C	A80UH2V110C20*	14.0	11.0	34,600	24,900	7.7	32,800	3.4	18,000	2.2	1275	3/4	3/8	3/4	3/8	3/4	3/8	0.071	H4TXV01
	E*1P30B	A80US2V090B12*	13.5	11.0	34,600	24,900	7.7	33,000	3.4	18,000	2.2	1275	3/4	3/8	3/4	3/8	3/4	3/8	0.071	H4TXV01
	E*1P36B	A80US2V090B12*	14.0	11.0	34,600	24,900	7.7	32,800	3.4	18,000	2.2	1275	3/4	3/8	3/4	3/8	3/4	3/8	0.071	H4TXV01
	E*1P30B	A80US2V090B16*	13.5	11.0	34,600	24,900	7.7	33,000	3.4	18,000	2.2	1275	3/4	3/8	3/4	3/8	3/4	3/8	0.071	H4TXV01
	E*1P36B	A80US2V090B16*	13.5	11.0	34,600	24,900	7.7	32,800	3.4	18,000	2.2	1275	3/4	3/8	3/4	3/8	3/4	3/8	0.071	H4TXV01
	E*1P30C	A80US2V090C20*	14.0	11.0	34,600	24,900	7.7	32,800	3.4	18,000	2.2	1275	3/4	3/8	3/4	3/8	3/4	3/8	0.071	H4TXV01
	E*1P36C	A80US2V090C20*	14.0	11.0	34,600	24,900	7.7	32,800	3.4	18,000	2.2	1275	3/4	3/8	3/4	3/8	3/4	3/8	0.071	H4TXV01
	E*1P30C	A80US2V110C20*	14.0	11.0	34,600	24,900	7.7	32,800	3.4	18,000	2.2	1275	3/4	3/8	3/4	3/8	3/4	3/8	0.071	H4TXV01
	E*1P36C	A80US2V110C20*	14.0	11.0	34,600	24,900	7.7	32,800	3.4	18,000	2.2	1275	3/4	3/8	3/4	3/8	3/4	3/8	0.071	H4TXV01
	E*1P36B	A95DF1E070B16S	13.5	11.0	34,600	24,900	7.7	33,000	3.4	18,000	2.2	1275	3/4	3/8	3/4	3/8	3/4	3/8	0.071	H4TXV01
	E*1P30C	A95DF1E090C16S	13.5	11.0	34,600	24,900	7.7	33,000	3.4	18,000	2.2	1275	3/4	3/8	3/4	3/8	3/4	3/8	0.071	H4TXV01
	E*1P36C	A95DF1E090C16S	14.0	11.0	34,600	24,900	7.7	33,000	3.4	18,000	2.2	1275	3/4	3/8	3/4	3/8	3/4	3/8	0.071	H4TXV01
	E*1P30C	A95DF1E110C20S	13.5	11.0	34,600	24,900	7.7	33,000	3.4	18,000	2.2	1275	3/4	3/8	3/4	3/8	3/4	3/8	0.071	H4TXV01
	E*1P36C	A95DF1E110C20S	13.5	11.0	34,600	24,900	7.7	33,000	3.4	18,000	2.2	1275	3/4	3/8	3/4	3/8	3/4	3/8	0.071	H4TXV01
	E*1P30B	A95DF2V045B12S	13.5	11.0	34,600	24,900	7.7	33,000	3.4	18,000	2.2	1275	3/4	3/8	3/4	3/8	3/4	3/8	0.071	H4TXV01
	E*1P36B	A95DF2V045B12S	13.5	11.0	34,600	24,900	7.7	33,000	3.4	18,000	2.2	1275	3/4	3/8	3/4	3/8	3/4	3/8	0.071	H4TXV01
	E*1P30B	A95DF2V070B16S	13.5	11.0	34,600	24,900	7.7	33,000	3.4	18,000	2.2	1275	3/4	3/8	3/4	3/8	3/4	3/8	0.071	H4TXV01
	E*1P36B	A95DF2V070B16S	13.5	11.0	34,600	24,900	7.7	33,000	3.4	18,000	2.2	1275	3/4	3/8	3/4	3/8	3/4	3/8	0.071	H4TXV01
	E*1P30C	A95DF2V090C20S	13.5	11.0	34,600	24,900	7.7	33,000	3.4	18,000	2.2	1275	3/4	3/8	3/4	3/8	3/4	3/8	0.071	H4TXV01
	E*1P36C	A95DF2V090C20S	14.0	11.0	34,600	24,900	7.7	33,000	3.4	18,000	2.2	1275	3/4	3/8	3/4	3/8	3/4	3/8	0.071	H4TXV01
	E*1P30C	A95DF2V110C20S	13.5	11.0	34,600	24,900	7.7	33,000	3.4	18,000	2.2	1275	3/4	3/8	3/4	3/8	3/4	3/8	0.071	H4TXV01

Note:

¹ Certified in accordance with Unitary Air Conditioner Certification Program, which is based on AHRI Standard 210/240.

² Required to achieve AHRI rating. If NA (Not Applicable) is in the piston column, then TXV is required.

³ A blower time delay relay is standard on all Allied Air Enterprises furnaces and AH products.

Cooling Performance with Air Handlers and Furnaces 36

Outdoor Model	Indoor Model		Cooling				Heating				CFM	Refrigerant Connection				Refrig. Line Size		Indoor Expansion Device		
	Evaporator Coil or Air Handler	Furnaces	SEER	EER	ARI Rated Capacity ¹	Sensible Capacity	HSPF	47		17		Outdoor		Indoor		Suction	Liquid	Piston ²	TXV	
								Btu/h	COP	Btu/h		COP	Suction	Liquid						
															Suction					Liquid
4SH13LB36P-2	E*1P36C	A95DF2V110C20S	14.0	11.0	34,600	24,900	7.7	33,000	3.4	18,000	2.2	1275	3/4	3/8	3/4	3/8	3/4	3/8	0.071	H4TXV01
	E*1P30C	A95UH1E090C16S	13.5	11.0	34,600	24,900	7.7	33,000	3.4	18,000	2.2	1275	3/4	3/8	3/4	3/8	3/4	3/8	0.071	H4TXV01
	E*1P36C	A95UH1E090C16S	14.0	11.0	34,600	24,900	7.7	33,000	3.4	18,000	2.2	1275	3/4	3/8	3/4	3/8	3/4	3/8	0.071	H4TXV01
	E*1P30C	A95UH1E110C20S	13.5	11.0	34,600	24,900	7.7	33,000	3.4	18,000	2.2	1275	3/4	3/8	3/4	3/8	3/4	3/8	0.071	H4TXV01
	E*1P36C	A95UH1E110C20S	13.5	11.0	34,600	24,900	7.7	33,000	3.4	18,000	2.2	1275	3/4	3/8	3/4	3/8	3/4	3/8	0.071	H4TXV01
	E*1P30B	A95UH2V045B12S	13.5	11.0	34,600	24,900	7.7	33,000	3.4	18,000	2.2	1275	3/4	3/8	3/4	3/8	3/4	3/8	0.071	H4TXV01
	E*1P36B	A95UH2V045B12S	13.5	11.0	34,600	24,900	7.7	33,000	3.4	18,000	2.2	1275	3/4	3/8	3/4	3/8	3/4	3/8	0.071	H4TXV01
	E*1P30B	A95UH2V070B12S	13.5	11.0	34,600	24,900	7.7	33,000	3.4	18,000	2.2	1275	3/4	3/8	3/4	3/8	3/4	3/8	0.071	H4TXV01
	E*1P36B	A95UH2V070B12S	14.0	11.0	34,600	24,900	7.7	33,000	3.4	18,000	2.2	1275	3/4	3/8	3/4	3/8	3/4	3/8	0.071	H4TXV01
	E*1P30C	A95UH2V090C12S	13.5	11.0	34,600	24,900	7.7	33,000	3.4	18,000	2.2	1275	3/4	3/8	3/4	3/8	3/4	3/8	0.071	H4TXV01
	E*1P36C	A95UH2V090C12S	14.0	11.0	34,600	24,900	7.7	33,000	3.4	18,000	2.2	1275	3/4	3/8	3/4	3/8	3/4	3/8	0.071	H4TXV01
	E*1P30C	A95UH2V090C16S	14.0	11.0	34,600	24,900	7.7	33,000	3.4	18,000	2.2	1275	3/4	3/8	3/4	3/8	3/4	3/8	0.071	H4TXV01
	E*1P36C	A95UH2V090C16S	14.0	11.0	34,600	24,900	7.7	33,000	3.4	18,000	2.2	1275	3/4	3/8	3/4	3/8	3/4	3/8	0.071	H4TXV01
	E*1P30C	A95UH2V090C20S	14.0	11.0	34,600	24,900	7.7	32,800	3.4	18,000	2.2	1275	3/4	3/8	3/4	3/8	3/4	3/8	0.071	H4TXV01
	E*1P36C	A95UH2V090C20S	14.0	11.0	34,600	24,900	7.7	33,000	3.4	18,000	2.2	1275	3/4	3/8	3/4	3/8	3/4	3/8	0.071	H4TXV01
	E*1P30C	A95UH2V110C16S	14.0	11.0	34,600	24,900	7.7	32,800	3.4	18,000	2.2	1275	3/4	3/8	3/4	3/8	3/4	3/8	0.071	H4TXV01
	E*1P36C	A95UH2V110C16S	14.0	11.0	34,600	24,900	7.7	33,000	3.4	18,000	2.2	1275	3/4	3/8	3/4	3/8	3/4	3/8	0.071	H4TXV01
	E*1P30C	A95UH2V110C20S	14.0	11.0	34,600	24,900	7.7	32,800	3.4	18,000	2.2	1275	3/4	3/8	3/4	3/8	3/4	3/8	0.071	H4TXV01
	E*1P36C	A95UH2V110C20S	14.0	11.0	34,600	24,900	7.7	33,000	3.4	18,000	2.2	1275	3/4	3/8	3/4	3/8	3/4	3/8	0.071	H4TXV01
	E*1P30B	A97DSMV070B12*	13.5	11.0	34,600	24,900	7.7	33,000	3.4	18,000	2.2	1275	3/4	3/8	3/4	3/8	3/4	3/8	0.071	H4TXV01
	E*1P36B	A97DSMV070B12*	13.5	11.0	34,600	24,900	7.7	32,800	3.4	18,000	2.2	1275	3/4	3/8	3/4	3/8	3/4	3/8	0.071	H4TXV01
	E*1P30C	A97DSMV090C16*	13.5	11.0	34,600	24,900	7.7	33,000	3.4	18,000	2.2	1275	3/4	3/8	3/4	3/8	3/4	3/8	0.071	H4TXV01
	E*1P36C	A97DSMV090C16*	14.0	11.0	34,600	24,900	7.7	32,800	3.4	18,000	2.2	1275	3/4	3/8	3/4	3/8	3/4	3/8	0.071	H4TXV01
	E*1P30C	A97DSMV090C20*	13.5	11.0	34,600	24,900	7.7	33,000	3.4	18,000	2.2	1275	3/4	3/8	3/4	3/8	3/4	3/8	0.071	H4TXV01
	E*1P36C	A97DSMV090C20*	14.0	11.0	34,600	24,900	7.7	32,800	3.4	18,000	2.2	1275	3/4	3/8	3/4	3/8	3/4	3/8	0.071	H4TXV01
	E*1P30C	A97DSMV110C20*	13.5	11.0	34,600	24,900	7.7	33,000	3.4	18,000	2.2	1275	3/4	3/8	3/4	3/8	3/4	3/8	0.071	H4TXV01
	E*1P36C	A97DSMV110C20*	14.0	11.0	34,600	24,900	7.7	32,800	3.4	18,000	2.2	1275	3/4	3/8	3/4	3/8	3/4	3/8	0.071	H4TXV01
	E*1P30B	A97USMV070B12*	13.5	11.0	34,600	24,900	7.7	33,000	3.4	18,000	2.2	1275	3/4	3/8	3/4	3/8	3/4	3/8	0.071	H4TXV01
	E*1P36B	A97USMV070B12*	13.5	11.0	34,600	24,900	7.7	32,800	3.4	18,000	2.2	1275	3/4	3/8	3/4	3/8	3/4	3/8	0.071	H4TXV01
	E*1P30C	A97USMV090C12*	13.5	11.0	34,600	24,900	7.7	33,000	3.4	18,000	2.2	1275	3/4	3/8	3/4	3/8	3/4	3/8	0.071	H4TXV01

Note:

¹ Certified in accordance with Unitary Air Conditioner Certification Program, which is based on AHRI Standard 210/240.

² Required to achieve AHRI rating. If NA (Not Applicable) is in the piston column, then TXV is required.

³ A blower time delay relay is standard on all Allied Air Enterprises furnaces and AH products.

Cooling Performance with Air Handlers and Furnaces 36, 42

Outdoor Model	Indoor Model		Cooling				Heating				CFM	Refrigerant Connection				Refrig. Line Size		Indoor Expansion Device		
	Evaporator Coil or Air Handler ³	Furnaces	SEER	EER	ARI Rated Capacity ¹	Sensible Capacity	HSPF	47		17		Outdoor		Indoor		Suction	Liquid	Piston ²	TXV	
								Btuh	COP	Btuh		COP	Suction	Liquid	Suction					Liquid
4SHP13LB36P-2	E*1P36C	A97USMV090C12*	14.0	11.0	34,600	24,900	7.7	32,800	3.4	18,000	2.2	1275	3/4	3/8	3/4	3/8	3/4	3/8	0.071	H4TXV01
	E*1P30C	A97USMV090C16*	14.0	11.0	34,600	24,900	7.7	33,000	3.4	18,000	2.2	1275	3/4	3/8	3/4	3/8	3/4	3/8	0.071	H4TXV01
	E*1P36C	A97USMV090C16*	14.0	11.0	34,600	24,900	7.7	32,800	3.4	18,000	2.2	1275	3/4	3/8	3/4	3/8	3/4	3/8	0.071	H4TXV01
	E*1P30C	A97USMV090C20*	13.5	11.0	34,600	24,900	7.7	33,000	3.4	18,000	2.2	1275	3/4	3/8	3/4	3/8	3/4	3/8	0.071	H4TXV01
	E*1P36C	A97USMV090C20*	14.0	11.0	34,600	24,900	7.7	32,800	3.4	18,000	2.2	1275	3/4	3/8	3/4	3/8	3/4	3/8	0.071	H4TXV01
	E*1P30C	A97USMV110C20*	14.0	11.0	34,600	24,900	7.7	33,000	3.4	18,000	2.2	1275	3/4	3/8	3/4	3/8	3/4	3/8	0.071	H4TXV01
	E*1P36C	A97USMV110C20*	14.0	11.0	34,600	24,900	7.7	32,800	3.4	18,000	2.2	1275	3/4	3/8	3/4	3/8	3/4	3/8	0.071	H4TXV01
4SHP13LB42P-2	BCE3M42C****P		13.0	11.0	40,500	29,200	7.7	39,000	3.5	25,000	2.2	1400	7/8	3/8	7/8	3/8	7/8	3/8	0.076	H4TXV02
	BCS2M42S00NA1P		13.5	11.5	40,500	29,200	7.7	39,000	3.5	25,000	2.2	1400	7/8	3/8	7/8	3/8	7/8	3/8	0.076	H4TXV02
	BCS2M42V00NA1P		13.5	11.5	40,500	29,200	7.7	39,000	3.5	25,000	2.2	1400	7/8	3/8	7/8	3/8	7/8	3/8	0.076	H4TXV02
	BCE3M42E****X		13.5	11.0	40,500	29,200	7.7	39,000	3.5	25,000	2.2	1400	7/8	3/8	7/8	3/8	7/8	3/8	NA	Factory Installed H4TXV02
	E(U,C,M,H)1P36C	A80DF1E110C20	13.5	11.0	40,500	29,200	7.7	39,000	3.4	25,000	2.3	1400	7/8	3/8	3/4	3/8	7/8	3/8	0.076	H4TXV02
	E(U,C,M,H)1P36B	A80UH1E090B16*	13.5	11.0	40,500	29,200	7.7	39,000	3.4	25,000	2.3	1400	7/8	3/8	3/4	3/8	7/8	3/8	0.076	H4TXV02
	E(U,C,M,H)1P43B	A80UH1E090B16*	13.5	11.0	40,500	29,200	7.7	39,000	3.4	25,000	2.3	1400	7/8	3/8	7/8	3/8	7/8	3/8	0.076	H4TXV02
	E(U,C,M,H)1P36C	A80UH1E090C20*	13.5	11.0	40,500	29,200	7.7	39,000	3.4	25,000	2.3	1400	7/8	3/8	3/4	3/8	7/8	3/8	0.076	H4TXV02
	E(U,C,M,H)1P36C	A80UH1E110C20*	13.5	11.0	40,500	29,200	7.7	39,000	3.4	25,000	2.3	1400	7/8	3/8	3/4	3/8	7/8	3/8	0.076	H4TXV02
	E(U,C,M,H)1P36C	A95DF1E110C20S	13.5	11.0	40,500	29,200	7.7	39,000	3.4	25,000	2.3	1400	7/8	3/8	3/4	3/8	7/8	3/8	0.076	H4TXV02
	E(U,C,M,H)1P43C	A95DF1E110C20S	13.5	11.0	40,500	29,200	7.7	39,000	3.4	25,000	2.3	1400	7/8	3/8	7/8	3/8	7/8	3/8	0.076	H4TXV02
	E(U,C,M,H)1P36C	A95DF2V090C20S	13.5	11.0	40,500	29,200	7.7	39,000	3.4	25,000	2.3	1400	7/8	3/8	3/4	3/8	7/8	3/8	0.076	H4TXV02
	E(U,C,M,H)1P36C	A95DF2V110C20S	13.5	11.0	40,500	29,200	7.7	39,000	3.4	25,000	2.3	1400	7/8	3/8	3/4	3/8	7/8	3/8	0.076	H4TXV02
	E(U,C,M,H)1P43C	A95DF2V110C20S	13.5	11.0	40,500	29,200	7.7	39,000	3.4	25,000	2.3	1400	7/8	3/8	7/8	3/8	7/8	3/8	0.076	H4TXV02
	E(U,C,M,H)1P36C	A95UH1E110C20S	13.5	11.0	40,500	29,200	7.7	39,000	3.4	25,000	2.3	1400	7/8	3/8	3/4	3/8	7/8	3/8	0.076	H4TXV02
	E(U,C,M,H)1P43C	A95UH1E110C20S	13.5	11.0	40,500	29,200	7.7	39,000	3.4	25,000	2.3	1400	7/8	3/8	7/8	3/8	7/8	3/8	0.076	H4TXV02
	E(U,C,M,H)1P36C	A95UH2V090C16S	13.5	11.0	40,500	29,200	7.7	39,000	3.4	25,000	2.3	1400	7/8	3/8	3/4	3/8	7/8	3/8	0.076	H4TXV02
	E(U,C,M,H)1P43C	A95UH2V090C16S	13.5	11.0	40,500	29,200	7.7	39,000	3.4	25,000	2.3	1400	7/8	3/8	7/8	3/8	7/8	3/8	0.076	H4TXV02
	E(U,C,M,H)1P36C	A95UH2V090C20S	13.5	11.0	40,500	29,200	7.7	39,000	3.4	25,000	2.3	1400	7/8	3/8	3/4	3/8	7/8	3/8	0.076	H4TXV02
	E(U,C,M,H)1P43C	A95UH2V090C20S	13.5	11.0	40,500	29,200	7.7	39,000	3.4	25,000	2.3	1400	7/8	3/8	7/8	3/8	7/8	3/8	0.076	H4TXV02
	E(U,C,M,H)1P36C	A95UH2V110C16S	13.5	11.0	40,500	29,200	7.7	39,000	3.4	25,000	2.3	1400	7/8	3/8	3/4	3/8	7/8	3/8	0.076	H4TXV02
	E(U,C,M,H)1P43C	A95UH2V110C16S	13.5	11.0	40,500	29,200	7.7	39,000	3.4	25,000	2.3	1400	7/8	3/8	7/8	3/8	7/8	3/8	0.076	H4TXV02
	E(U,C,M,H)1P36C	A95UH2V110C20S	13.5	11.0	40,500	29,200	7.7	39,000	3.4	25,000	2.3	1400	7/8	3/8	3/4	3/8	7/8	3/8	0.076	H4TXV02
	E(U,C,M,H)1P43C	A95UH2V110C20S	13.5	11.0	40,500	29,200	7.7	39,000	3.4	25,000	2.3	1400	7/8	3/8	7/8	3/8	7/8	3/8	0.076	H4TXV02

Note:

¹ Certified in accordance with Unitary Air Conditioner Certification Program, which is based on AHRI Standard 210/240.

² Required to achieve AHRI rating. If NA (Not Applicable) is in the piston column, then TXV is required.

³ A blower time delay relay is standard on all Allied Air Enterprises furnaces and AH products.

Cooling Performance with Air Handlers and Furnaces 48, 60

Outdoor Model	Indoor Model		Cooling				Heating				CFM	Refrigerant Connection				Refrig. Line Size		Indoor Expansion Device		
	Evaporator Coil or Air Handler ³	Furnaces	SEER	EER	ARI Rated Capacity ¹	Sensible Capacity	HSPF	47		17		Outdoor		Indoor		Suction	Liquid	Piston ²	TXV	
								Btuh	COP	Btuh		COP	Suction	Liquid	Suction					Liquid
4SHPT13LB48P-2	BCE3M48C****P		13.0	11.0	48,000	34,600	7.7	44,500	3.2	28,000	2.4	1600	7/8	3/8	7/8	3/8	7/8	3/8	0.08	H4TXV02
	BCS2M48S00NA1P		14.0	11.0	48,000	34,600	7.7	44,500	3.2	28,000	2.4	1600	7/8	3/8	7/8	3/8	7/8	3/8	0.08	H4TXV02
	BCS2M48V00NA1P		14.0	11.0	48,000	34,600	7.7	44,500	3.2	28,000	2.4	1600	7/8	3/8	7/8	3/8	7/8	3/8	0.08	H4TXV02
	BCE3M48E****X		14.0	11.0	48,000	34,600	7.7	44,500	3.2	28,000	2.4	1600	7/8	3/8	7/8	3/8	7/8	3/8	NA	Factory Installed H4TXV02
4SHPT13LB60P-2	BCE3M60C****P		13.0	11.0	57,000	41,200	7.7	55,000	3.3	34,000	2.3	1850	7/8	3/8	7/8	3/8	1 1/8	3/8	NA	H4TXV02
	BCS2M60S00NA1P		13.0	11.0	57,000	41,200	7.7	54,000	3.3	34,000	2.3	1850	7/8	3/8	7/8	3/8	1 1/8	3/8	NA	H4TXV02
	BCS2M60V00NA1P		13.0	11.0	57,000	41,200	7.7	54,000	3.3	34,000	2.3	1850	7/8	3/8	7/8	3/8	1 1/8	3/8	NA	H4TXV02
	BCE3M60E****X		13.0	11.0	57,000	41,200	7.7	54,000	3.3	34,000	2.3	1850	7/8	3/8	7/8	3/8	1 1/8	3/8	NA	Factory Installed H4TXV03

Note:

- ¹ Certified in accordance with Unitary Air Conditioner Certification Program, which is based on AHRI Standard 210/240.
- ² Required to achieve AHRI rating. If NA (Not Applicable) is in the piston column, then TXV is required.
- ³ A blower time delay relay is standard on all Allied Air Enterprises furnaces and AH products.

Cooling Performance Extended Ratings

Outdoor Model	Indoor Model	Indoor Temp DB/WB °F	Outdoor Temp - DB°F														
			65°			82°			95°			105°			115°		
			Btuh	S/T	kW	Btuh	S/T	kW	Btuh	S/T	kW	Btuh	S/T	kW	Btuh	S/T	kW
4SHP13LB118P-2	BCS*M18C****P	85/72	22,900	0.62	1.23	21,200	0.64	1.46	19,900	0.65	1.64	18,700	0.67	1.85	17,400	0.68	2.10
		80/67	20,800	0.69	1.23	19,200	0.70	1.48	18,000	0.71	1.67	16,600	0.74	1.62	15,100	0.77	2.10
		75/63	18,800	0.72	1.23	17,300	0.74	1.47	16,100	0.75	1.65	15,100	0.78	1.87	14,000	0.80	2.08
		75/57	16,600	1.00	1.22	15,400	1.00	1.46	14,400	1.00	1.65	13,500	1.00	1.86	12,600	1.00	2.08
4SHP13LB124P-2	BCS*M24C****P	85/72	26,300	0.58	1.56	25,900	0.62	1.86	25,600	0.65	2.08	24,000	0.68	2.32	22,500	0.71	2.55
		80/67	25,600	0.66	1.56	24,100	0.70	1.86	23,000	0.73	2.08	21,400	0.74	2.31	19,900	0.75	2.53
		75/63	24,500	0.70	1.56	22,900	0.75	1.84	21,700	0.78	2.06	19,900	0.81	2.28	18,200	0.84	2.50
		75/57	21,500	1.00	1.55	19,900	1.00	1.83	18,700	1.00	2.05	17,400	1.00	2.28	16,200	1.00	2.50
4SHP13LB130P-2	BCS*M30C****P	85/72	34,600	0.60	2.18	33,100	0.63	2.47	32,000	0.66	2.69	30,100	0.68	2.98	28,400	0.70	3.26
		80/67	33,000	0.66	1.98	30,700	0.71	2.32	29,000	0.74	2.59	27,200	0.76	2.91	25,500	0.78	3.23
		75/63	31,000	0.70	1.97	28,800	0.73	2.30	27,200	0.76	2.55	25,000	0.79	2.88	22,900	0.82	3.22
		75/57	26,200	1.00	1.95	24,300	1.00	2.29	23,000	1.00	2.54	21,900	1.00	2.88	21,000	1.00	3.21
4SHP13LB136P-2	BCS*M36C****P	85/72	40,900	0.61	2.45	39,700	0.67	2.90	38,700	0.71	3.24	36,900	0.70	3.63	35,000	0.69	4.03
		80/67	39,400	0.67	2.42	36,900	0.70	2.81	35,000	0.72	3.11	33,200	0.75	3.52	31,400	0.77	3.93
		75/63	37,200	0.71	2.40	35,100	0.73	2.85	33,400	0.75	3.20	31,400	0.77	3.51	29,400	0.79	3.83
		75/57	32,900	1.00	2.33	31,000	1.00	2.78	29,600	1.00	3.13	27,800	1.00	3.46	26,000	1.00	3.79
4SHP13LB142P-2	BCS*M42C****P	85/72	48,400	0.60	2.70	46,900	0.63	3.23	45,700	0.65	3.63	43,000	0.68	4.05	40,200	0.70	4.48
		80/67	46,600	0.66	2.69	43,400	0.69	3.22	41,000	0.72	3.62	38,500	0.76	4.02	35,900	0.79	4.42
		75/63	44,200	0.70	2.69	40,900	0.73	3.20	38,400	0.76	3.59	35,700	0.79	3.97	32,800	0.82	4.35
		75/57	38,200	1.00	2.67	35,600	1.00	3.19	33,600	1.00	3.59	31,200	1.00	3.96	28,700	1.00	4.32
4SHP13LB148P-2	BCS*M48C****P	85/72	55,600	0.62	3.18	53,900	0.64	3.81	52,700	0.66	4.29	49,500	0.69	4.79	46,200	0.71	5.29
		80/67	52,700	0.69	3.14	50,000	0.71	3.75	48,000	0.72	4.23	44,900	0.74	4.71	41,800	0.75	5.19
		75/63	49,800	0.72	3.10	46,700	0.75	3.70	44,400	0.77	4.15	40,800	0.81	4.65	37,200	0.84	5.14
		75/57	43,700	1.00	3.08	40,500	1.00	3.66	38,200	1.00	4.10	35,800	1.00	4.60	33,400	1.00	5.10
4SHP13LB160P-2	BCS*M60C****P	85/72	72,700	0.59	4.22	67,400	0.62	4.97	63,500	0.64	5.55	59,800	0.66	6.20	56,200	0.67	6.86
		80/67	66,400	0.68	4.12	61,600	0.70	4.81	58,000	0.71	5.35	54,500	0.74	6.06	51,100	0.76	6.77
		75/63	62,300	0.70	4.09	57,100	0.73	4.79	53,100	0.75	5.32	49,900	0.77	6.02	46,800	0.79	6.72
		75/57	52,700	1.00	4.03	48,600	1.00	4.75	45,400	1.00	5.30	42,900	1.00	6.00	40,500	1.00	6.69

Note:
 Extended data shown is actual for models listed and typical for all AHRI matches.

* Multiple Air Handler product line.

Heating Performance Extended Ratings

Outdoor Model	Indoor Model	Outdoor Temp. DB/WBoF									
		0/0		17/15		35/33		47/43		62/56	
		Btuh	kW	Btuh	kW	Btuh	kW	Btuh	kW	Btuh	kW
4SHP13LB118P-2	BCS*M18C****P	6800	1.41	10000	1.46	13000	1.51	17000	1.56	20500	1.61
4SHP13LB124P-2	BCS*M24C****P	10900	1.70	13000	1.73	17000	1.84	21600	1.92	25500	1.99
4SHP13LB130P-2	BCS*M30C****P	14500	2.00	17000	2.10	19000	2.26	27000	2.33	32300	2.38
4SHP13LB136P-2	BCS*M36C****P	13400	2.34	18000	2.40	23000	2.50	33800	2.91	40200	3.01
4SHP13LB142P-2	BCS*M42C****P	21400	3.10	25000	3.15	29000	3.33	40000	3.35	47500	3.44
4SHP13LB148P-2	BCS*M48C****P	24900	3.23	28000	3.42	34000	4.11	45000	4.12	53000	4.34
4SHP13LB160P-2	BCS*M60C****P	29500	4.21	34000	4.33	36000	4.67	55000	4.88	64200	5.10

Note:

All ratings are at indoor temperature of 70°F.

Extended data shown is actual for models listed and typical for all AHRI matches.

* Multiple Air Handler product line.

Accessories

Description	Where Used	Kit Number
Crankcase Heater	18, 24, 30, 36	93M04
	42, 48, 60	93M05 (factory Installed)
Compressor Low Ambient Kit	18, 24, 30, 36, 42, 48, 60	45F08
Sound Blanket	18, 24, 30, 36	14W00 (factory Installed)
	42, 48, 60	14W01 (factory Installed)
Short Cycle Protector	18, 24, 30, 36, 42, 48, 60	47J27 (factory installed, control board feature)
Freezestat	3/8 tubing	93G35
	5/8 tubing	50A93
Time Delay Relay	18, 24, 30, 36, 42, 48, 60	58M81 (factory Installed; control board feature)
Loss of Charge Kit	18, 24, 30, 36, 42, 48, 60	84M23 (factory Installed)



1-800-448-5872

All specifications and illustrations subject to change without notice and without incurring obligations.